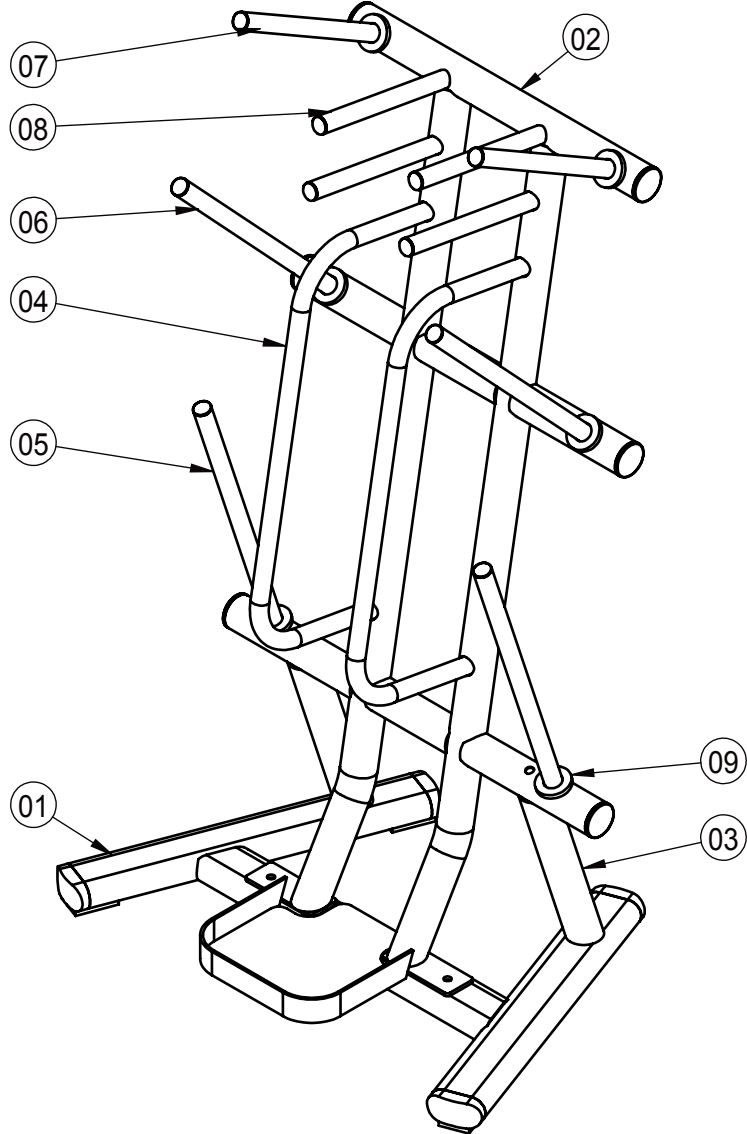


PUMP SET RACK



01.BASE FRAME.....	1
02.MAIN FRAME.....	1
03.REAR SUPPORT.....	2
04.GUARD BAR	2
05.BAR $\phi 25 \times 495\text{MM}$	2
06.BAR $\phi 25 \times 455\text{MM}$	2
07.BAR $\phi 25 \times 335\text{MM}$	2
08.BAR $\phi 25 \times 275\text{MM}$	4
09.ROUND BUFFER.....	6
10.HEX BOLT M10*70	4
11.HEX BOLT M10*60	4
12.HEX BOLT M10*20	14
13.FLAT WASHER $\phi 10$	8
14.ARC WASHER $\phi 10$	14
15.NYLON LOCK NUT M10.....	2